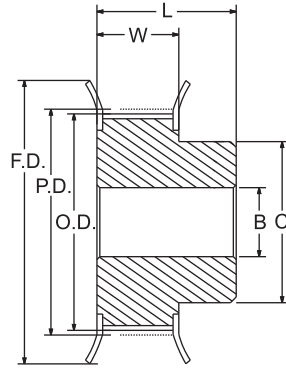


**H TIMING BELT PULLEY - 1/2" PITCH (PLAIN BORE)**

**STEEL**

**FOR 1" & 1-1/2" WIDE BELTS**



TYPE - 6F

1/2 PITCH (H) 1" WIDE BELTS												
OLD PART NUMBER	NEW PART NUMBER	NO. OF TEETH	TYPE	DIAMETERS				STOCK BORES		DIMENSIONS		WEIGHT (lbs.)
				P.D.	O.D.	F.D.	HUB "C"	MIN.	MAX.	OVERALL LENGTH "L"	FACE WIDTH "W"	
14H100-6FS7	14H100-6FS-PB-5/8	14	6F	2.228	2.174	2-7/16	1-5/8	5/8	7/8	1-7/8	1-1/4	1.40
16H100-6FS7	16H100-6FS-PB-5/8	16	6F	2.546	2.492	2-7/8	1-7/8	5/8	1-1/8	2	1-1/4	2.00
17H100-6FS7	17H100-6FS-PB-5/8	17	6F	2.706	2.652	3	2	5/8	1-1/4	2	1-1/4	2.30
18H100-6FS7	18H100-6FS-PB-5/8	18	6F	2.865	2.811	3-1/8	2-1/4	5/8	1 3/8	2	1-1/4	2.80
19H100-6FS7	19H100-6FS-PB-5/8	19	6F	3.024	2.970	3-3/8	2-3/8	5/8	1-1/2	2	1-1/4	3.10
20H100-6FS7	20H100-6FS-PB-5/8	20	6F	3.183	3.129	3-3/8	2-1/2	5/8	1-5/8	2-1/8	1-1/4	3.60
21H100-6FS8	21H100-6FS-PB-3/4	21	6F	3.342	3.288	3-5/8	2-5/8	3/4	1-11/16	2-1/8	1-1/4	3.90
22H100-6FS8	22H100-6FS-PB-3/4	22	6F	3.501	3.447	3-13/16	2-3/4	3/4	1-3/4	2-1/4	1-1/4	4.50
24H100-6FS8	24H100-6FS-PB-3/4	24	6F	3.820	3.766	4-1/16	3	3/4	1-7/8	2-1/4	1-1/4	5.60
26H100-6FS8	26H100-6FS-PB-3/4	26	6F	4.138	4.084	4-3/8	3-3/8	3/4	2-1/4	2-3/8	1-1/4	7.00
28H100-6FS8	28H100-6FS-PB-3/4	28	6F	4.456	4.402	4-11/16	3-1/2	3/4	2-5/16	2-3/8	1-1/4	8.00
30H100-6FS8	30H100-6FS-PB-3/4	30	6F	4.775	4.721	5	3-5/8	3/4	2-3/8	2-3/8	1-1/4	9.10

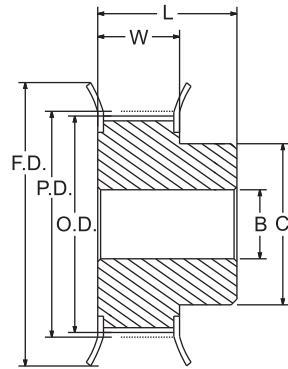
1/2" PITCH (H) 1 1/2" WIDE BELTS												
OLD PART NUMBER	NEW PART NUMBER	NO. OF TEETH	TYPE	DIAMETERS				STOCK BORES		DIMENSIONS		WEIGHT (lbs.)
				P.D.	O.D.	F.D.	HUB "C"	MIN.	MAX.	OVERALL LENGTH "L"	FACE WIDTH "W"	
14H150-6FS8	14H150-6FS-PB-3/4	14	6F	2.228	2.174	2-7/16	1-5/8	3/4	7/8	2-3/8	1-3/4	1.80
16H150-6FS8	16H150-6FS-PB-3/4	16	6F	2.546	2.492	2-7/8	1-7/8	3/4	1-1/8	2-1/2	1-3/4	2.50
17H150-6FS8	17H150-6FS-PB-3/4	17	6F	2.706	2.652	3	2	3/4	1-1/4	2-1/2	1-3/4	3.00
18H150-6FS8	18H150-6FS-PB-3/4	18	6F	2.865	2.811	3-1/8	2-1/4	3/4	1-3/8	2-1/2	1-3/4	3.40
19H150-6FS8	19H150-6FS-PB-3/4	19	6F	3.024	2.970	3-3/8	2-3/8	3/4	1-1/2	2-1/2	1-3/4	3.90
20H150-6FS8	20H150-6FS-PB-3/4	20	6F	3.183	3.129	3-3/8	2-1/2	3/4	1-5/8	2-5/8	1-3/4	4.50
21H150-6FS8	21H150-6FS-PB-3/4	21	6F	3.342	3.288	3-5/8	2-5/8	3/4	1-11/16	2-5/8	1-3/4	5.00
22H150-6FS8	22H150-6FS-PB-3/4	22	6F	3.501	3.447	3-13/16	2-3/4	3/4	1-3/4	2-3/4	1-3/4	5.80
24H150-6FS8	24H150-6FS-PB-3/4	24	6F	3.820	3.766	4-1/16	3	3/4	1-7/8	2-3/4	1-3/4	6.90
26H150-6FS8	26H150-6FS-PB-3/4	26	6F	4.138	4.084	4-3/8	3-3/8	3/4	2-1/4	2-3/4	1-3/4	8.50
28H150-6FS8	28H150-6FS-PB-3/4	28	6F	4.456	4.402	4-11/16	3-1/2	3/4	2-5/16	2-7/8	1-3/4	10.10
30H150-6FS8	30H150-6FS-PB-3/4	30	6F	4.775	4.721	5	3-5/8	3/4	2-3/8	2-7/8	1-3/4	11.50

**Note :** Part Number Mentioned is for Stock bore.  
 Rework can be done to accommodate maximum bore size.  
 Drill & Tap Set Screw holes as per request.

H TIMING BELT PULLEY - 1/2" PITCH (PLAIN BORE)

STEEL

FOR 2" & 3" WIDE BELTS



TYPE - 6F

1/2" PITCH (H) 2" WIDE BELTS												
OLD PART NUMBER	NEW PART NUMBER	NO. OF TEETH	TYPE	DIAMETERS				STOCK BORES		DIMENSIONS		WEIGHT (lbs.)
				P.D.	O.D.	F.D.	HUB "C"	MIN.	MAX.	OVERALL LENGTH "L"	FACE WIDTH "W"	
14H200-6FS8	14H200-6FS-PB-3/4	14	6F	2.228	2.174	2-7/16	1-5/8	3/4	7/8	2-29/32	2-9/32	2.30
16H200-6FS8	16H200-6FS-PB-3/4	16	6F	2.546	2.492	2-7/8	1-7/8	3/4	1-1/8	3-1/16	2-9/32	3.30
17H200-6FS8	17H200-6FS-PB-3/4	17	6F	2.706	2.652	3	2	3/4	1-1/4	3-1/16	2-9/32	3.80
18H200-6FS8	18H200-6FS-PB-3/4	18	6F	2.865	2.811	3-1/8	2-1/4	3/4	1-3/8	3-1/16	2-9/32	4.40
19H200-6FS8	19H200-6FS-PB-3/4	19	6F	3.024	2.970	3-3/8	2-3/8	3/4	1-1/2	3-1/16	2-9/32	5.00
20H200-6FS10	20H200-6FS-PB-1	20	6F	3.183	3.129	3-3/8	2-1/2	1	1-5/8	3-5/32	2-9/32	5.30
21H200-6FS10	21H200-6FS-PB-1	21	6F	3.342	3.288	3-5/8	2-5/8	1	1-11/16	3-5/32	2-9/32	5.90
22H200-6FS10	22H200-6FS-PB-1	22	6F	3.501	3.447	3-13/16	2-3/4	1	1-3/4	3-9/32	2-9/32	6.90
24H200-6FS10	24H200-6FS-PB-1	24	6F	3.820	3.766	4-1/16	3	1	1-7/8	3-9/32	2-9/32	8.30
26H200-6FS10	26H200-6FS-PB-1	26	6F	4.138	4.084	4-3/8	3-3/8	1	2-1/4	3-13/32	2-9/32	10.20
28H200-6FS10	28H200-6FS-PB-1	28	6F	4.456	4.402	4-11/16	3-1/2	1	2-5/16	3-13/32	2-9/32	11.80
30H200-6FS10	30H200-6FS-PB-1	30	6F	4.775	4.721	5	3-5/8	1	2-3/8	3-13/32	2-9/32	13.50

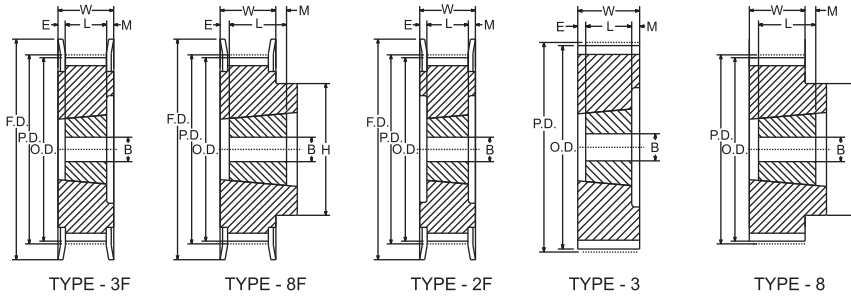
1/2" PITCH (H) 3" WIDE BELTS												
OLD PART NUMBER	NEW PART NUMBER	NO. OF TEETH	TYPE	DIAMETERS				STOCK BORES		DIMENSIONS		WEIGHT (lbs.)
				P.D.	O.D.	F.D.	HUB "C"	MIN.	MAX.	OVERALL LENGTH "L"	FACE WIDTH "W"	
16H300-6FS8	16H300-6FS-PB-3/4	16	6F	2.546	2.492	2-7/8	1-7/8	3/4	1-1/8	4-1/16	3-5/16	4.50
17H300-6FS8	17H300-6FS-PB-3/4	17	6F	2.706	2.652	3	2	3/4	1-1/4	4-1/16	3-5/16	5.10
18H300-6FS8	18H300-6FS-PB-3/4	18	6F	2.865	2.811	3-3/8	2-1/4	3/4	1-3/8	4-1/16	3-5/16	6.00
19H300-6FS8	19H300-6FS-PB-3/4	19	6F	3.024	2.970	3-3/8	2-3/8	3/4	1-1/2	4-1/16	3-5/16	6.60
20H300-6FS8	20H300-6FS-PB-3/4	20	6F	3.183	3.129	3-3/8	2-1/2	3/4	1-5/8	4-3/16	3-5/16	7.50
21H300-6FS8	21H300-6FS-PB-3/4	21	6F	3.342	3.288	3-5/8	2-5/8	3/4	1-11/16	4-3/16	3-5/16	9.00
22H300-6FS11	22H300-6FS-PB-1 1/8	22	6F	3.501	3.447	3-13/16	2-3/4	1 1/8	1-3/4	4-5/16	3-5/16	10.90
24H300-6FS11	24H300-6FS-PB-1 1/8	24	6F	3.820	3.766	4-1/16	3	1 1/8	1-7/8	4-5/16	3-5/16	12.00
26H300-6FS11	26H300-6FS-PB-1 1/8	26	6F	4.138	4.084	4-3/8	3-3/8	1 1/8	2-1/4	4-7/16	3-5/16	13.40
28H300-6FS11	28H300-6FS-PB-1 1/8	28	6F	4.456	4.402	4-11/16	3-1/2	1 1/8	2-5/16	4-7/16	3-5/16	15.60
30H300-6FS11	30H300-6FS-PB-1 1/8	30	6F	4.775	4.721	5	3-5/8	1 1/8	2-3/8	4-7/16	3-5/16	18.00

**Note :** Part Number Mentioned is for Stock bore.  
 Rework can be done to accommodate maximum bore size.  
 Drill & Tap Set Screw holes as per request.

**H TIMING BELT PULLEY - 1/2" PITCH (TAPER LOCK (TL®) BUSH)**

**STEEL**

**FOR 1 & 1 1/2" WIDE BELTS**



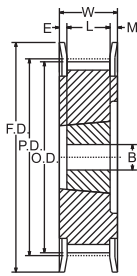
1/2" PITCH (H) 1" WIDE BELTS															
OLD PART NUMBER	NEW PART NUMBER	NO. OF TEETH	BUSHING	TYPE	DIAMETERS				STOCK BORES		DIMENSIONS				WEIGHT (lbs.)
					P.D.	O.D.	F.D.	HUB.	MIN.	MAX.	Overall Length	FACE WIDTH "W"	E	M	
TL14H100	14H100TL-1108	14	1108	3F	2.228	2.174	2-31/64	-	1/2	1-1/8	7/8	1-5/16	0.06	0.42	0.80
TL16H100	16H100TL-1108	16	1108	3F	2.546	2.492	2-51/64	-	1/2	1-1/8	7/8	1-5/16	0.06	0.42	1.30
TL18H100	18H100TL-1210	18	1210	3F	2.865	2.811	3-7/64	-	1/2	1-1/4	1	1-5/16	0.06	0.25	1.20
TL20H100	20H100TL-1210	20	1210	3F	3.183	3.129	3-7/16	-	1/2	1-1/4	1	1-5/16	0.11	0.25	1.70
TL22H100	22H100TL-1610	22	1610	3F	3.501	3.447	3-3/4	-	1/2	1-11/16	1	1-5/16	0.11	0.25	1.80
TL24H100	24H100TL-1610	24	1610	3F	3.820	3.766	4-1/64	-	1/2	1-11/16	1	1-5/16	0.11	0.25	2.30
TL26H100	26H100TL-2012	26	2012	3F	4.138	4.084	4-25/64	-	1/2	2-1/8	1-1/4	1-5/16	0.06	0.00	2.20
TL28H100	28H100TL-2012	28	2012	3F	4.456	4.402	4-45/64	-	1/2	2-1/8	1-1/4	1-5/16	0.06	0.00	2.80
TL30H100	30H100TL-2012	30	2012	3F	4.775	4.721	5-1/64	-	1/2	2-1/8	1-1/4	1-5/16	0.06	0.00	4.20
TL32H100	32H100TL-2517	32	2517	8F	5.093	5.039	5-21/64	4-7/16	1/2	2-11/16	1-3/4	1-5/16	0.44	0.00	4.10
TL40H100	40H100TL-2517	40	2517	8F	6.366	6.312	6-9/16	4-7/16	1/2	2-11/16	1-3/4	1-5/16	0.44	0.00	7.80
TL48H100	48H100TL-2517	48	2517	8F	7.639	7.585	8-1/64	4-7/16	1/2	2-11/16	1-3/4	1-5/16	0.44	0.00	12.10
TL60H100	60H100TL-3020	60	3020	8	9.549	9.495	-	6-1/4	7/8	3-1/4	2	1-5/16	0.34	0.34	10.30
TL72H100	72H100TL-3020	72	3020	8	11.459	11.405	-	6-1/4	7/8	3-1/4	2	1-5/16	0.34	0.34	14.00
TL84H100	84H100TL-3020	84	3020	8	13.369	13.315	-	6-1/4	7/8	3-1/4	2	1-5/16	0.34	0.34	20.00
TL96H100	96H100TL-3020	96	3020	8	15.279	15.225	-	6-1/4	7/8	3-1/4	2	1-5/16	0.34	0.34	27.00
TL120H100	120H100TL-3020	120	3020	8	19.099	19.045	-	6-1/4	7/8	3-1/4	2	1-5/16	0.00	0.59	38.00

1/2" PITCH (H) 1 1/2" WIDE BELTS															
OLD PART NUMBER	NEW PART NUMBER	NO. OF TEETH	BUSHING	TYPE	DIAMETERS				STOCK BORES		DIMENSIONS				WEIGHT (lbs.)
					P.D.	O.D.	F.D.	HUB.	MIN.	MAX.	Overall Length	FACE WIDTH "W"	E	M	
TL14H150	14H150TL-1008	14	1008	2F	2.228	2.174	2-31/64	-	1/2	1	7/8	1-55/64	0.47	0.88	1.00
TL16H150	16H150TL-1008	16	1008	2F	2.546	2.492	2-51/64	-	1/2	1	7/8	1-55/64	0.47	0.88	1.50
TL18H150	18H150TL-1210	18	1210	3F	2.865	2.811	3-7/64	-	1/2	1-1/4	1	1-55/64	0.11	0.75	1.60
TL20H150	20H150TL-1215	20	1215	3F	3.183	3.129	3-7/16	-	1/2	1-1/4	1	1-55/64	0.11	0.75	2.20
TL22H150	22H150TL-1615	22	1615	3F	3.501	3.447	3-3/4	-	1/2	1-11/16	1	1-55/64	0.11	0.75	2.50
TL24H150	24H150TL-2012	24	2012	3F	3.820	3.766	4-1/16	-	1/2	2-1/8	1-1/4	1-55/64	0.56	0.00	2.20
TL26H150	26H150TL-2012	26	2012	3F	4.138	4.084	4-25/32	-	1/2	2-1/8	1-1/4	1-55/64	0.56	0.00	3.20
TL28H150	28H150TL-2012	28	2012	3F	4.456	4.402	4-45/64	-	1/2	2-1/8	1-1/4	1-55/64	0.56	0.00	4.10
TL30H150	30H150TL-2012	30	2012	3F	4.775	4.721	5-1/64	-	1/2	2-1/8	1-1/4	1-55/64	0.56	0.00	5.10
TL32H150	32H150TL-2517	32	2517	3F	5.093	5.039	5-21/64	-	1/2	2-11/16	1-3/4	1-55/64	0.11	0.00	4.60
TL40H150	40H150TL-2517	40	2517	3F	6.366	6.312	6-9/16	-	1/2	2-11/16	1-3/4	1-55/64	0.11	0.00	8.60
TL48H150	48H150TL-2517	48	2517	3F	7.639	7.585	8-1/64	-	1/2	2-11/16	1-3/4	1-55/64	0.00	0.06	13.60
TL60H150	60H150TL-3020	60	3020	3	9.549	9.495	-	6-1/4	7/8	3-1/4	2	1-55/64	0.09	0.09	12.30
TL72H150	72H150TL-3020	72	3020	3	11.459	11.405	-	6-1/4	7/8	3-1/4	2	1-55/64	0.09	0.09	17.00
TL84H150	84H150TL-3020	84	3020	3	13.369	13.315	-	6-1/4	7/8	3-1/4	2	1-55/64	0.09	0.09	21.50
TL96H150	96H150TL-3020	96	3020	3	15.279	15.225	-	6-1/4	7/8	3-15/16	2	1-55/64	0.09	0.09	31.00
TL120H150	120H150TL-3020	120	3020	3	19.099	19.045	-	6-1/4	7/8	3-1/4	2	1-55/64	0.09	0.09	40.00

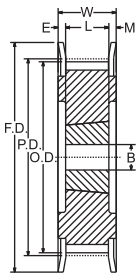
**H TIMING BELT PULLEY - 1/2" PITCH (TAPER LOCK (TL®) BUSH)**

**STEEL**

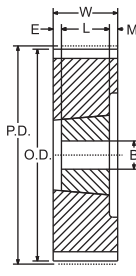
**FOR 2 & 3" WIDE BELTS**



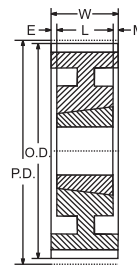
TYPE - 3F



TYPE - 2F



TYPE - 3



TYPE - AW



1/2" PITCH (H) 2" WIDE BELTS															
OLD PART NUMBER	NEW PART NUMBER	NO. OF TEETH	BUSHING	TYPE	DIAMETERS				STOCK BORES		DIMENSIONS				WEIGHT (lbs.)
					P.D.	O.D.	F.D.	HUB.	MIN.	MAX.	Overall Length	FACE WIDTH "W"	E	M	
TL16H200	16H200TL-1008	16	1008	2F	2.546	2.492	2-51/64	-	1/2	1-1/8	7/8	2-11/32	0.75	0.72	1.90
TL18H200	18H200TL-1215	18	1215	3F	2.865	2.811	3-7/64	-	1/2	1-1/4	1-1/2	2-11/32	0.44	0.41	1.80
TL20H200	20H200TL-1215	20	1215	3F	3.183	3.129	3-7/16	-	1/2	1-1/4	1-1/2	2-11/32	0.42	0.42	2.60
TL22H200	22H200TL-1615	22	1615	3F	3.501	3.447	3-3/4	-	1/2	1-5/8	1-1/2	2-11/32	0.42	0.42	2.80
TL24H200	24H200TL-2012	24	2012	3F	3.820	3.766	4-1/16	-	1/2	2	1-1/4	2-11/32	0.55	0.55	2.60
TL26H200	26H200TL-2012	26	2012	3F	4.138	4.084	4-25/32	-	1/2	2	1-1/4	2-11/32	0.55	0.55	3.60
TL28H200	28H200TL-2012	28	2012	3F	4.456	4.402	4-45/64	-	1/2	2	1-1/4	2-11/32	0.55	0.55	5.10
TL30H200	30H200TL-2012	30	2012	3F	4.775	4.721	5-1/64	-	1/2	2	1-1/4	2-11/32	1.09	0.00	7.00
TL32H200	32H200TL-2517	32	2517	3F	5.093	5.039	5-21/64	-	1/2	2-1/2	1-3/4	2-11/32	0.59	0.00	5.50
TL40H200	40H200TL-2517	40	2517	3F	6.366	6.312	6-37/64	-	1/2	2-1/2	1-3/4	2-11/32	0.59	0.00	9.90
TL48H200	48H200TL-2517	48	2517	3F	7.639	7.585	8-1/64	-	7/8	3	2	2-11/32	0.41	0.00	14.30
TL60H200	60H200TL-3020	60	3020	AW	9.549	9.495	-	-	7/8	3	2	2-11/32	0.17	0.17	15.30
TL72H200	72H200TL-3020	72	3020	AW	11.459	11.405	-	-	7/8	3-1/4	2	2-11/32	0.00	0.34	21.00
TL84H200	84H200TL-3020	84	3020	AW*	13.369	13.315	-	-	7/8	3-1/4	2	2-11/32	0.00	0.34	23.00
TL96H200	96H200TL-3020	96	3020	AW*	15.279	15.225	-	7	1 3/16	3-15/16	3-1/2	2-11/32	0.40	0.75	34.00
TL120H200	120H200TL-3020	120	3020	AW*	19.099	19.045	-	-	7/8	3-1/4	3-1/2	2-11/32	0.00	0.34	42.00

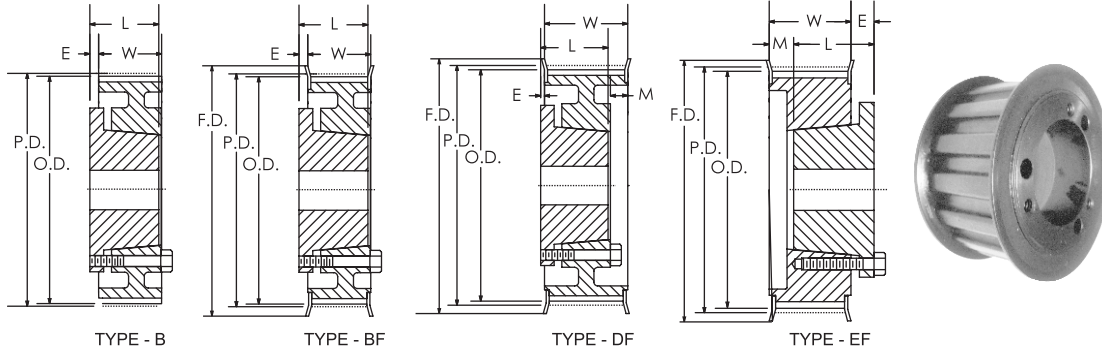
1/2" PITCH (H) 3" WIDE BELTS															
OLD PART NUMBER	NEW PART NUMBER	NO. OF TEETH	BUSHING	TYPE	DIAMETERS				STOCK BORES		DIMENSIONS				WEIGHT (lbs.)
					P.D.	O.D.	F.D.	HUB.	MIN.	MAX.	Overall Length	FACE WIDTH "W"	E	M	
TL16H300	16H300TL-1108	16	1108	2F	2.546	2.492	2-51/64	-	1/2	1-1/8	7/8	3-3/8	1.28	1.23	2.50
TL18H300	18H300TL-1215	18	1215	2F	2.865	2.811	3-7/64	-	1/2	1-1/4	1-1/2	3-3/8	0.94	0.94	2.60
TL20H300	20H300TL-1215	20	1215	2F	3.183	3.129	3-7/16	-	1/2	1-1/4	1-1/2	3-3/8	0.94	0.94	3.90
TL22H300	22H300TL-1615	22	1615	2F	3.501	3.447	3-3/4	-	1/2	1-11/16	1-1/2	3-3/8	0.94	0.94	4.00
TL24H300	24H300TL-2012	24	2012	2F	3.820	3.766	4-1/16	-	1/2	2-1/8	1-1/4	3-3/8	1.06	1.06	4.30
TL26H300	26H300TL-2012	26	2012	2F	4.138	4.084	4-25/32	-	1/2	2-1/8	1-1/4	3-3/8	1.06	1.06	5.40
TL28H300	28H300TL-2012	28	2012	2F	4.456	4.402	4-45/64	-	1/2	2-1/8	1-1/4	3-3/8	1.06	1.06	6.80
TL30H300	30H300TL-2012	30	2012	2F	4.775	4.721	5-1/64	-	1/2	2-1/8	1-1/4	3-3/8	1.06	1.06	7.50
TL32H300	32H300TL-2517	32	2517	2F	5.093	5.039	5-21/64	-	1/2	2-11/16	1-3/4	3-3/8	0.81	0.81	7.40
TL40H300	40H300TL-2517	40	2517	2F	6.366	6.312	6-37/64	-	1/2	2-11/16	1-3/4	3-3/8	0.81	0.81	12.10
TL48H300	48H300TL-3020	48	3020	2F	7.639	7.585	8-1/64	-	7/8	3-1/4	2	3-3/8	0.69	0.69	16.30
TL60H300	60H300TL-3020	60	3020	AW	9.549	9.495	-	-	7/8	3-1/4	2	3-3/8	0.69	0.69	17.30
TL72H300	72H300TL-3020	72	3020	AW	11.459	11.405	-	-	7/8	3-1/4	2	3-3/8	0.31	1.06	23.00
TL84H300	84H300TL-3020	84	3020	AW*	13.369	13.315	-	-	7/8	3-1/4	2	3-3/8	0.69	0.69	30.00
TL96H300	96H300TL-3535	96	3535	AW*	15.279	15.225	-	-	1 3/16	3-15/16	3-1/2	3-3/8	0.06	0.06	38.00
TL120H300	120H300TL-3535	120	3535	AW*	19.099	19.045	-	7	1 3/16	3-15/16	3-1/2	3-3/8	0.12	0.00	51.00

NOTE : \* With Arm

**H TIMING BELT PULLEY - 1/2" PITCH QUICK DETACHABLE (PQD) STEEL BUSH**

**STEEL**

**FOR 1" WIDE BELTS**



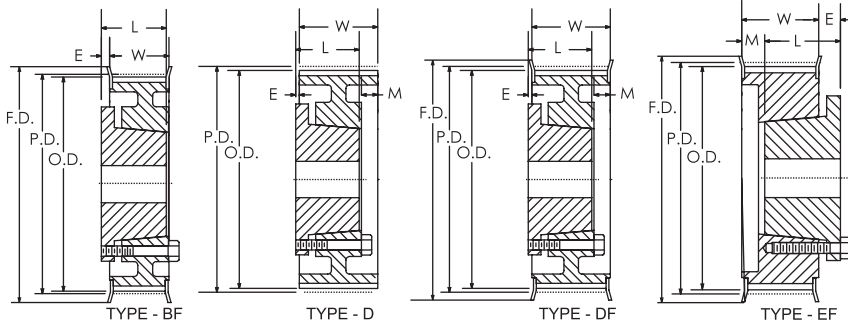
1/2" PITCH (H) 3/4" & 1" WIDE BELTS														
OLD PART NUMBER	NEW PART NUMBER	NO. OF TEETH	BUSHING	TYPE	DIAMETERS			STOCK BORES		DIMENSIONS				WEIGHT (lbs.)
					P.D.	O.D.	F.D.	MIN.	MAX.	FACE WIDTH "W"	E	L	M	
QD14H100	14H100QD-JA	14	JA	E1F	2.228	2.174	2-15/16	1/2	1-1/4	1-5/16	1/2	1.000	0.688	0.80
QD16H100	16H100QD-JA	16	JA	E1F	2.546	2.492	2-15/16	1/2	1-1/4	1-5/16	1/2	1.000	0.688	1.10
QD18H100	18H100QD-SH	18	SH	E1F	2.865	2.811	3-1/8	1/2	1-5/8	1-5/16	21/32	1.313	0.625	1.00
QD19H100	19H100QD-SH	19	SH	E1F	3.024	2.970	3-1/4	1/2	1-5/8	1-5/16	21/32	1.313	0.625	1.20
QD20H100	20H100QD-SH	20	SH	E1F	3.183	3.129	3-3/8	1/2	1-5/8	1-5/16	21/32	1.313	0.625	1.40
QD21H100	21H100QD-SH	21	SH	E1F	3.342	3.288	3-5/8	1/2	1-5/8	1-5/16	21/32	1.313	0.625	1.60
QD22H100	22H100QD-SDS	22	SDS	E1F	3.501	3.447	3-3/4	1/2	2	1-5/16	21/32	1.313	0.625	1.80
QD23H100	23H100QD-SDS	23	SDS	E1F	3.661	3.607	3-7/8	1/2	2	1-5/16	21/32	1.313	0.625	1.90
QD24H100	24H100QD-SDS	24	SDS	E1F	3.820	3.766	4-1/16	1/2	2	1-5/16	21/32	1.313	0.625	2.00
QD25H100	25H100QD-SDS	25	SDS	E1F	3.979	3.925	4-3/16	1/2	2	1-5/16	21/32	1.313	0.625	2.20
QD26H100	26H100QD-SDS	26	SDS	D1F	4.138	4.084	4-3/8	1/2	2	1-5/16	5/32	1.313	0.063	2.40
QD27H100	27H100QD-SDS	27	SDS	D1F	4.297	4.243	4-11/16	1/2	2	1-5/16	5/32	1.313	0.063	2.70
QD28H100	28H100QD-SDS	28	SDS	D1F	4.456	4.402	4-11/16	1/2	2	1-5/16	5/32	1.313	0.063	3.00
QD29H100	29H100QD-SDS	29	SDS	B1F	4.615	4.561	5	1/2	2	1-5/16	21/32	1.813	-	3.60
QD30H100	30H100QD-SD	30	SD	B1F	4.775	4.721	5	1/2	2	1-5/16	21/32	1.813	-	4.20
QD31H100	31H100QD-SD	31	SD	B1F	4.934	4.880	5-5/16	1/2	2	1-5/16	21/32	1.813	-	4.40
QD32H100	32H100QD-SK	32	SK	B1F	5.093	5.039	5-21/64	1/2	2-5/8	1-5/16	25/32	1.938	-	4.60
QD33H100	33H100QD-SK	33	SK	B1F	5.252	5.198	5-1/2	1/2	2-5/8	1-5/16	25/32	1.938	-	5.00
QD34H100	34H100QD-SK	34	SK	B1F	5.411	5.357	5-5/8	1/2	2-5/8	1-5/16	25/32	1.938	-	5.40
QD35H100	35H100QD-SK	35	SK	B1F	5.570	5.516	6	1/2	2-5/8	1-5/16	25/32	1.938	-	5.80
QD36H100	36H100QD-SK	36	SK	B1F	5.730	5.676	6	1/2	2-5/8	1-5/16	25/32	1.938	-	6.30
QD37H100	37H100QD-SK	37	SK	B1F	5.889	5.835	6-1/8	1/2	2-5/8	1-5/16	25/32	1.938	-	6.80
QD38H100	38H100QD-SK	38	SK	B1F	6.048	5.994	6-1/4	1/2	2-5/8	1-5/16	25/32	1.938	-	7.30
QD39H100	39H100QD-SK	39	SK	B1F	6.207	6.153	6-9/16	1/2	2-5/8	1-5/16	25/32	1.938	-	7.80
QD40H100	40H100QD-SK	40	SK	B1F	6.366	6.312	6-9/16	1/2	2-5/8	1-5/16	25/32	1.938	-	8.20
QD41H100	41H100QD-SK	41	SK	B1F	6.525	6.471	6-3/4	1/2	2-5/8	1-5/16	25/32	1.938	-	8.60
QD42H100	42H100QD-SK	42	SK	B1F	6.684	6.630	6-7/8	1/2	2-5/8	1-5/16	25/32	1.938	-	9.10
QD43H100	43H100QD-SK	43	SK	B1F	6.844	6.790	7-1/8	1/2	2-5/8	1-5/16	25/32	1.938	-	9.60
QD44H100	44H100QD-SK	44	SK	B1F	7.003	6.948	7-1/8	1/2	2-5/8	1-5/16	25/32	1.938	-	10.00
QD45H100	45H100QD-SK	45	SK	B1F	7.162	7.108	7-3/8	1/2	2-5/8	1-5/16	25/32	1.938	-	10.50
QD48H100	48H100QD-SK	48	SK	B3	7.639	7.585	7-3/8	1/2	2-5/8	1-5/16	25/32	1.938	-	12.50
QD60H100	60H100QD-SF	60	SF	B3	9.549	9.495	-	1/2	2-15/16	1-5/16	27/32	2.063	-	11.00
QD72H100	72H100QD-SF	72	SF	B3	11.405	11.405	-	1/2	2-15/16	1-5/16	27/32	2.063	-	14.00
QD84H100	84H100QD-SF	84	SF	B3	13.315	13.315	-	1/2	2-15/16	1-5/16	27/32	2.063	-	20.00
QD96H100	96H100QD-SF	96	SF	B3	15.225	15.225	-	1/2	2-15/16	1-5/16	27/32	2.063	-	27.00
QD120H100	120H100QD-SF	120	SF	B3	19.045	19.045	-	1/2	2-15/16	1-5/16	27/32	2.063	-	38.00
QD156H100	156H100QD-SF	156	SF	B3	24.774	24.774	-	1/2	2-15/16	1-5/16	27/32	2.063	-	49.00

Note : Numerals in Type Designations mean: 1 = Solid, 2 = Web and 3 = Arm Construction; F = Flanged Pulley.

H TIMING BELT PULLEY - 1/2" PITCH QUICK DETACHABLE (PQD) STEEL BUSH

STEEL

FOR 1 1/2 & 2" WIDE BELTS



1/2" PITCH (H) 1 1/2" WIDE BELTS														
OLD PART NUMBER	NEW PART NUMBER	NO. OF TEETH	BUSHING	TYPE	DIAMETERS			STOCK BORES		DIMENSIONS			WEIGHT (lbs.)	
					P.D.	O.D.	F.D.	MIN.	MAX.	FACE WIDTH "W"	E	L		M
QD14H150	14H150QD-JA	14	JA	E1F	2.228	2.174	2-15/32	1/2	1-1/4	1-13/16	0.500	1.000	1.188	1.00
QD16H150	16H150QD-JA	16	JA	E1F	2.546	2.492	2-49/64	1/2	1-1/4	1-13/16	0.500	1.000	1.188	1.50
QD18H150	18H150QD-SH	18	SH	E1F	2.865	2.811	3-1/8	1/2	1-5/8	1-13/16	0.656	1.313	1.125	1.70
QD20H150	20H150QD-SH	20	SH	E1F	3.183	3.129	3-5/8	1/2	1-5/8	1-13/16	0.656	1.313	1.125	2.30
QD22H150	22H150QD-SD	22	SD	E1F	3.501	3.447	3-3/4	1/2	2	1-13/16	0.656	1.813	0.563	2.70
QD24H150	24H150QD-SD	24	SD	E1F	3.820	3.766	4-1/16	1/2	2	1-13/16	0.656	1.813	0.563	3.10
QD26H150	26H150QD-SD	26	SD	D1F	4.138	4.084	4-3/8	1/2	2	1-13/16	0.156	1.813	0.063	3.40
QD28H150	28H150QD-SD	28	SD	D1F	4.456	4.402	4-11/16	1/2	2	1-13/16	0.156	1.813	0.063	4.00
QD30H150	30H150QD-SD	30	SD	B1F	4.775	4.721	5	1/2	2	1-13/16	0.656	1.813	-	5.30
QD32H150	32H150QD-SK	32	SK	B1F	5.093	5.039	5-5/16	1/2	2-5/8	1-13/16	0.219	1.938	-	5.00
QD36H150	36H150QD-SK	36	SK	B1F	5.730	5.676	6	1/2	2-5/8	1-13/16	0.219	1.938	-	7.00
QD40H150	40H150QD-SK	40	SK	B1F	6.366	6.312	6-9/16	1/2	2-5/8	1-13/16	0.219	1.938	-	9.00
QD44H150	44H150QD-SK	44	SK	B1F	7.003	6.948	7-1/4	1/2	2-5/8	1-13/16	0.219	1.938	-	11.00
QD48H150	48H150QD-SK	48	SK	B2F	7.639	7.585	7-7/8	1/2	2-5/8	1-13/16	0.219	1.938	-	14.00
QD60H150	60H150QD-SF	60	SF	D3	9.549	9.495	-	1/2	2-15/16	1-13/16	0.563	2.063	0.281	13.00
QD72H150	72H150QD-SF	72	SF	D3	11.459	11.405	-	1/2	2-15/16	1-13/16	0.563	2.063	0.281	17.00
QD84H150	84H150QD-SF	84	SF	D3	13.369	13.315	-	1/2	2-15/16	1-13/16	0.563	2.063	0.281	22.50
QD96H150	96H150QD-SF	96	SF	D3	15.279	15.225	-	1/2	2-15/16	1-13/16	0.563	2.063	0.281	31.00
QD120H150	120H150QD-SF	120	SF	D3	19.099	19.045	-	1/2	2-15/16	1-13/16	0.563	2.063	0.281	45.00
QD156H150	156H150QD-SF	156	SF	D3	24.828	24.774	-	1/2	2-15/16	1-13/16	0.563	2.063	0.281	54.50

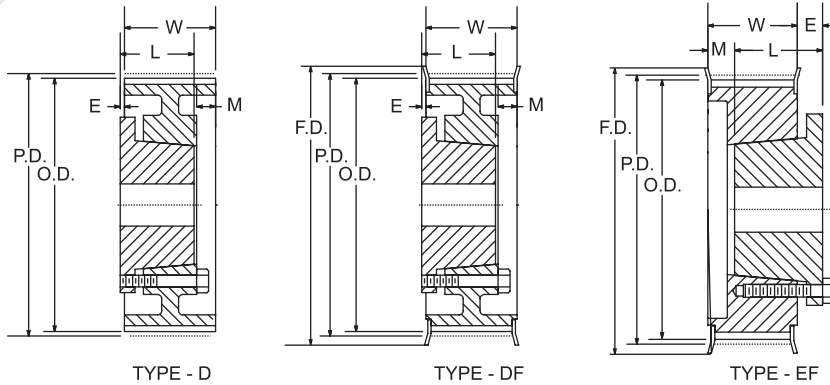
1/2" PITCH (H) 2" WIDE BELTS														
OLD PART NUMBER	NEW PART NUMBER	NO. OF TEETH	BUSHING	TYPE	DIAMETERS			STOCK BORES		DIMENSIONS			WEIGHT (lbs.)	
					P.D.	O.D.	F.D.	MIN.	MAX.	FACE WIDTH "W"	E	L		M
QD14H200	14H200QD-JA	14	JA	E1F	2.228	2.174	2-15/32	1/2	1-1/4	2-11/32	1/2	1.000	1.719	1.60
QD16H200	16H200QD-JA	16	JA	E1F	2.546	2.492	2-49/64	1/2	1-1/4	2-11/32	1/2	1.000	1.719	1.90
QD18H200	18H200QD-SH	18	SH	E1F	2.865	2.811	3-1/8	1/2	1-5/8	2-11/32	21/32	1.313	1.656	2.30
QD20H200	20H200QD-SH	20	SH	E1F	3.183	3.129	3-5/8	1/2	1-5/8	2-11/32	21/32	1.313	1.656	2.70
QD22H200	22H200QD-SD	22	SD	E1F	3.501	3.447	3-3/4	1/2	2	2-11/32	21/32	1.813	1.094	3.00
QD24H200	24H200QD-SD	24	SD	E1F	3.820	3.766	4-1/16	1/2	2	2-11/32	21/32	1.813	1.094	3.40
QD26H200	26H200QD-SD	26	SD	D1F	4.138	4.084	4-3/8	1/2	2	2-11/32	1/32	1.813	0.563	3.80
QD28H200	28H200QD-SD	28	SD	D1F	4.456	4.402	4-11/16	1/2	2	2-11/32	1/32	1.813	0.563	5.30
QD30H200	30H200QD-SD	30	SD	D1F	4.775	4.721	5	1/2	2	2-11/32	3/32	1.813	0.625	6.20
QD32H200	32H200QD-SK	32	SK	D1F	5.093	5.039	5-5/16	1/2	2-5/8	2-11/32	3/32	1.938	0.500	6.90
QD36H200	36H200QD-SK	36	SK	D1F	5.730	5.676	6	1/2	2-5/8	2-11/32	3/32	1.938	0.500	8.00
QD40H200	40H200QD-SK	40	SK	D1F	6.366	6.312	6-9/16	1/2	2-5/8	2-11/32	3/32	1.938	0.500	10.30
QD44H200	44H200QD-SK	44	SK	D1F	7.003	6.948	7-1/4	1/2	2-5/8	2-11/32	3/32	1.938	0.500	12.50
QD48H200	48H200QD-SF	48	SF	D1F	7.639	7.585	7-7/8	1/2	2-15/16	2-11/32	9/32	2.063	0.469	15.00
QD60H200	60H200QD-SF	60	SF	D1	9.549	9.495	-	1/2	2-15/16	2-11/32	9/32	2.063	0.469	16.00
QD72H200	72H200QD-SF	72	SF	D1	11.459	11.405	-	1/2	2-15/16	2-11/32	9/32	2.063	0.469	21.00
QD84H200	84H200QD-SF	84	SF	D1	13.369	13.315	-	1/2	2-15/16	2-11/32	9/32	2.063	0.469	23.00
QD96H200	96H200QD-E	96	E	D1	15.279	15.225	-	7/8	3-1/2	2-11/32	25/32	2.750	0.344	34.00
QD120H200	120H200QD-E	120	E	D1	19.099	19.045	-	7/8	3-1/2	2-11/32	25/32	2.750	0.344	42.00
QD156H200	156H200QD-E	156	E	D1	24.828	24.774	-	7/8	3-1/2	2-11/32	25/32	2.750	0.344	60.00

Note : Numerals in Type Designations mean: 1 = Solid, 2 = Web and 3 = Arm Construction; F = Flanged Pulley.

H TIMING BELT PULLEY - 1/2" PITCH QUICK DETACHABLE (PQD) STEEL BUSH

STEEL

FOR 3" WIDE BELTS



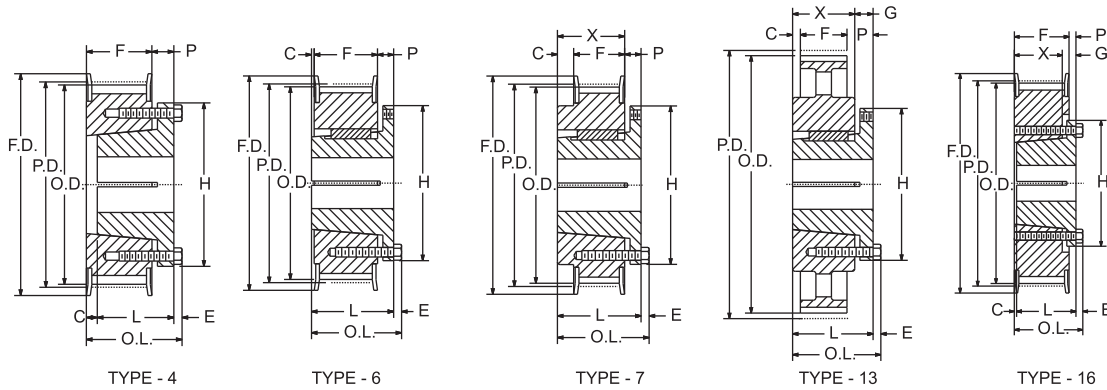
1/2" PITCH (H) 3" WIDE BELTS														
OLD PART NUMBER	NEW PART NUMBER	NO. OF TEETH	BUSHING	TYPE	DIAMETERS			STOCK BORES		DIMENSIONS				WEIGHT (lbs.)
					P.D.	O.D.	F.D.	MIN.	MAX.	FACE WIDTH "W"	E	L	M	
QD22H300	22H300QD-SD	22	SD	E1F	3.501	3.447	3-3/4	1/2	2	2-11/32	21/32	1.813	2.538	4.20
QD24H300	24H300QD-SD	24	SD	E1F	3.820	3.766	4-1/16	1/2	2	2-11/32	21/32	1.813	2.538	4.80
QD26H300	26H300QD-SD	26	SD	D1F	4.138	4.084	4-3/8	1/2	2	2-11/32	1/32	1.813	1.500	5.60
QD28H300	28H300QD-SD	28	SD	D1F	4.456	4.402	4-11/16	1/2	2	2-11/32	1/32	1.813	1.500	7.00
QD30H300	30H300QD-SD	30	SD	D1F	4.775	4.721	5	1/2	2	2-11/32	3/32	1.813	1.063	7.70
QD32H300	32H300QD-SK	32	SK	D1F	5.093	5.039	5-5/16	1/2	2-5/8	2-11/32	3/32	1.938	1.063	7.80
QD36H300	36H300QD-SK	36	SK	D1F	5.730	5.676	6	1/2	2-5/8	2-11/32	3/32	1.938	1.063	10.00
QD40H300	40H300QD-SK	40	SK	D1F	6.366	6.312	6-9/16	1/2	2-5/8	2-11/32	3/32	1.938	1.063	12.50
QD44H300	44H300QD-SK	44	SK	D1F	7.003	6.948	7-1/4	1/2	2-5/8	2-11/32	3/32	1.938	1.063	15.50
QD48H300	48H300QD-SF	48	SF	D1F	7.639	7.585	7-7/8	1/2	2-15/16	2-11/32	9/32	2.063	1.063	17.00
QD60H300	60H300QD-SF	60	SF	D1	9.549	9.495	-	1/2	2-15/16	2-11/32	9/32	2.063	1.063	18.00
QD72H300	72H300QD-SF	72	SF	D1	11.459	11.405	-	1/2	2-15/16	2-11/32	9/32	2.063	1.063	23.00
QD84H300	84H300QD-SF	84	SF	D1	13.369	13.315	-	1/2	2-15/16	2-11/32	9/32	2.063	1.063	30.00
QD96H300	96H300QD-E	96	E	D1	15.279	15.225	-	7/8	3-1/2	2-11/32	25/32	2.750	0.875	38.00
QD120H300	120H300QD-E	120	E	D1	19.099	19.045	-	7/8	3-1/2	2-11/32	25/32	2.750	0.875	51.00
QD156H300	156H300QD-E	156	E	D1	24.828	24.774	-	7/8	3-1/2	2-11/32	25/32	2.750	0.875	69.00

Note : Numerals in Type Designations mean: 1 = Solid, 2 = Web and 3 = Arm Construction; F = Flanged Pulley.

**H TIMING BELT PULLEY - 1/2" PITCH (SPLIT TAPER (PST) BUSH)**

**STEEL**

**FOR 1 WIDE BELTS**



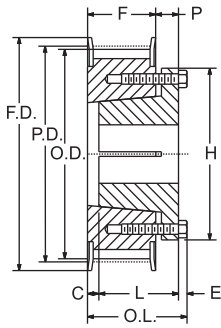
1/2" PITCH (H) 3/4" & 1" WIDE BELTS																				
OLD PART NUMBER	NEW PART NUMBER	NO. OF TEETH	BUSHING	TYPE	DIAMETERS			STOCK BORES		DIMENSIONS										WEIGHT (lbs.)
					P.D.	O.D.	F.D.	MIN.	MAX.	O.L.	F	L	P	C	H	G	X	E		
14HG100	14H100ST-G	14	G	4	2.228	2.174	2-7/16	3/8	1	1-7/8	1-1/4	1.000	0.438	0.688	2.000	-	-	0.188	0.80	
16HG100	16H100ST-G	16	G	4	2.546	2.492	2-7/8	3/8	1	1-7/8	1-1/4	1.000	0.438	0.688	2.000	-	-	0.188	1.30	
18HH100	18H100ST-H	18	H	4	2.856	2.811	3-1/8	3/8	1-1/2	1-7/8	1-1/4	1.250	0.438	0.438	2.500	-	-	0.188	1.40	
20HH100	20H100ST-H	20	H	4	3.183	3.129	3-3/8	3/8	1-1/2	1-7/8	1-1/4	1.250	0.438	0.438	2.500	-	-	0.188	1.80	
22HH100	22H100ST-H	22	H	16	3.501	3.447	3-13/16	3/8	1-1/2	1-7/16	1-1/4	1.250	0.000	0.000	2.500	0.438	0.813	0.188	2.00	
22HP100	22H100ST-P1	22	P1	6	3.501	3.447	3-13/16	1/2	1-3/4	2-1/8	1-1/4	1.938	0.625	0.063	3.000	-	-	0.250	2.20	
24HH100	24H100ST-H	24	H	16	3.820	3.766	4-1/16	3/8	1-1/2	1-7/16	1-1/4	1.250	0.000	0.000	2.500	0.438	0.813	0.188	2.60	
24HP100	24H100ST-P1	24	P1	6	3.820	3.766	4-1/16	1/2	1-3/4	2-1/8	1-1/4	1.938	0.625	0.063	3.000	-	-	0.250	2.80	
26HH100	26H100ST-H	26	H	16	4.138	4.084	4-3/8	3/8	1-1/2	1-7/16	1-1/4	1.250	0.000	0.000	2.500	0.438	0.813	0.188	3.10	
26HP100	26H100ST-P1	26	P1	6	4.138	4.084	4-3/8	1/2	1-3/4	2-1/8	1-1/4	1.938	0.625	0.063	3.000	-	-	0.250	3.50	
28HH100	28H100ST-H	28	H	16	4.456	4.402	4-11/16	3/8	1-1/2	1-7/16	1-1/4	1.250	0.000	0.000	2.500	0.438	0.813	0.188	3.80	
28HP100	28H100ST-P1	28	P1	6	4.456	4.402	4-11/16	1/2	1-3/4	2-1/8	1-1/4	1.938	0.625	0.063	3.000	-	-	0.250	4.20	
30HH100	30H100ST-H	30	H	16	4.775	4.721	5	3/8	1-1/2	1-7/16	1-1/4	1.250	0.000	0.000	2.500	0.438	0.813	0.188	4.50	
30HP100	30H100ST-P1	30	P1	6	4.775	4.721	5	1/2	1-3/4	2-1/8	1-1/4	1.938	0.625	0.063	3.000	-	-	0.250	4.90	
32HQ100	32H100ST-Q1	32	Q1	7	5.093	5.093	5-5/16	3/4	2-11/16	2-25/32	1-1/4	2.500	0.750	0.500	4.125	-	1.750	0.281	5.00	
36HQ100	36H100ST-Q1	36	Q1	7	5.730	5.676	6	3/4	2-11/16	2-25/32	1-1/4	2.500	0.750	0.500	4.125	-	1.750	0.281	6.40	
40HQ100	40H100ST-Q1	40	Q1	7	6.366	6.312	6-9/16	3/4	2-11/16	2-25/32	1-1/4	2.500	0.750	0.500	4.125	-	1.750	0.281	8.50	
44HQ100	44H100ST-Q1	44	Q1	7	7.003	6.949	7-1/4	3/4	2-11/16	2-25/32	1-1/4	2.500	0.750	0.500	4.125	-	1.750	0.281	10.00	
48HQ100	48H100ST-Q1	48	Q1	7	7.639	7.585	7-7/8	3/4	2-11/16	2-25/32	1-1/4	2.500	0.750	0.500	4.125	-	1.750	0.281	12.30	
60HQ100	60H100ST-Q1	60	Q1	13	9.549	9.495	-	3/4	2-11/16	2-25/32	1-1/4	2.500	1.000	0.250	4.125	0.750	1.750	0.281	13.00	
72HQ100	72H100ST-Q1	72	Q1	13	11.459	11.405	-	3/4	2-11/16	2-25/32	1-1/4	2.500	1.000	0.250	4.125	0.750	1.750	0.281	15.30	
84HQ100	84H100ST-Q1	84	Q1	13	13.369	13.315	-	3/4	2-11/16	2-25/32	1-1/4	2.500	1.000	0.250	4.125	0.750	1.750	0.281	19.50	
96HQ100	96H100ST-Q1	96	Q1	13	15.279	15.225	-	3/4	2-11/16	2-25/32	1-1/4	2.500	1.000	0.250	4.125	0.750	1.750	0.281	20.60	
120HQ100	120H100ST-Q1	120	Q1	13	19.099	19.045	-	3/4	2-11/16	2-25/32	1-1/4	2.500	1.000	0.250	4.125	0.750	1.750	0.281	25.80	
156HQ100	156H100ST-Q1	156	Q1	13	24.828	24.774	-	3/4	2-11/16	2-25/32	1-1/4	2.500	1.000	0.250	4.125	0.750	1.750	0.281	34.00	



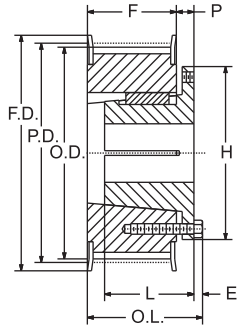
**H TIMING BELT PULLEY - 1/2" PITCH (SPLIT TAPER (PST) BUSH)**

**STEEL**

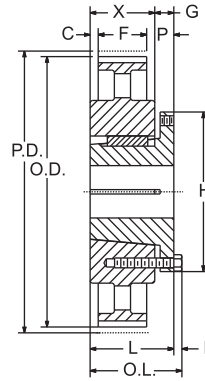
**FOR 1 1/2" WIDE BELTS**



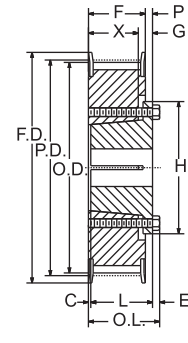
TYPE - 4



TYPE - 9



TYPE - 13



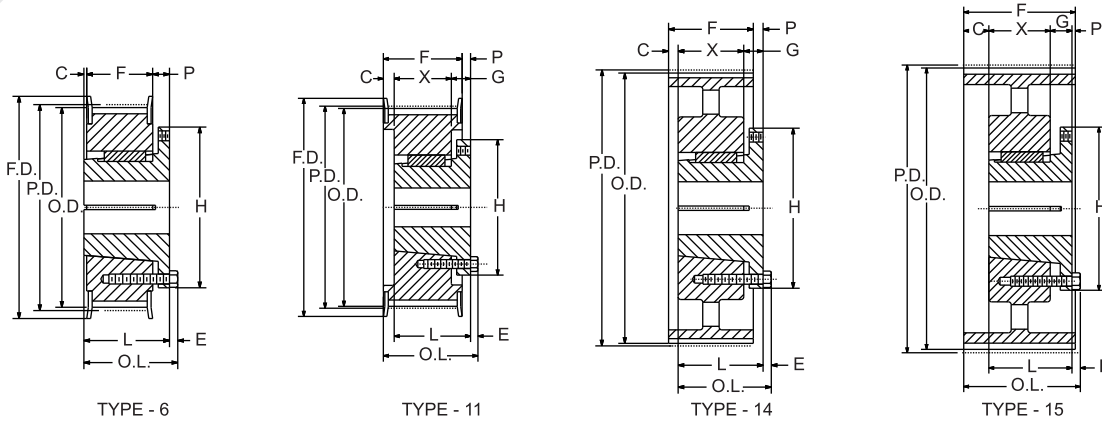
TYPE - 16

1/2" PITCH (H) 1 1/2" WIDE BELTS																					
OLD PART NUMBER	NEW PART NUMBER	NO. OF TEETH	BUSHING	TYPE	DIAMETERS			STOCK BORES		DIMENSIONS											WEIGHT (lbs.)
					P.D.	O.D.	F.D.	MIN.	MAX.	O.L.	F	L	P	C	H	G	X	E			
14HG150	14H150ST-G	14	G	4	2.228	2.174	2-7/16	3/8	1	2-3/8	1-3/4	1.000	0.438	1.188	2.000	-	-	0.188	1.30		
16HG150	16H150ST-G	16	G	4	2.546	2.492	2-7/8	3/8	1	2-3/8	1-3/4	1.000	0.438	1.188	2.000	-	-	0.188	1.90		
18HH150	18H150ST-H	18	H	4	2.856	2.811	3-1/8	3/8	1-1/2	2-3/8	1-3/4	1.250	0.438	0.938	2.500	-	-	0.188	2.00		
20HH150	20H150ST-H	20	H	4	3.183	3.129	3-3/8	3/8	1-1/2	2-3/8	1-3/4	1.250	0.438	0.938	2.500	-	-	0.188	2.60		
22HH150	22H150ST-H	22	H	16	3.501	3.447	3-13/16	3/8	1-1/2	1-15/16	1-3/4	1.250	0.000	0.500	2.500	0.438	1.313	0.188	3.00		
22HP150	22H150ST-P1	22	P1	9	3.501	3.447	3-13/16	1/2	1-3/4	2-5/8	1-3/4	1.938	0.625	0.438	3.000	-	1.313	0.250	3.00		
24HH150	24H150ST-H	24	H	16	3.820	3.766	4-1/16	3/8	1-1/2	1-15/16	1-3/4	1.250	0.000	0.500	2.500	0.438	1.313	0.188	3.90		
24HP150	24H150ST-P1	24	P1	9	3.820	3.766	4-1/16	1/2	1-3/4	2-5/8	1-3/4	1.938	0.625	0.438	3.000	-	1.313	0.250	3.90		
26HH150	26H150ST-H	26	H	16	4.138	4.084	4-3/8	3/8	1-1/2	1-15/16	1-3/4	1.250	0.000	0.500	2.500	0.438	1.313	0.188	4.50		
26HP150	26H150ST-P1	26	P1	9	4.138	4.084	4-3/8	1/2	1-3/4	2-5/8	1-3/4	1.938	0.625	0.438	3.000	-	1.313	0.250	4.90		
28HH150	28H150ST-H	28	H	16	4.456	4.402	4-11/16	3/8	1-1/2	1-15/16	1-3/4	1.250	0.000	0.500	2.500	0.438	1.313	0.188	5.50		
28HP150	28H150ST-P1	28	P1	9	4.456	4.402	4-11/16	1/2	1-3/4	2-5/8	1-3/4	1.938	0.625	0.438	3.000	-	1.313	0.250	5.90		
30HH150	30H150ST-H	30	H	16	4.775	4.721	5	3/8	1-1/2	1-15/16	1-3/4	1.250	0.000	0.500	2.500	0.438	1.313	0.188	6.50		
30HP150	30H150ST-P1	30	P1	9	4.775	4.721	5	1/2	1-3/4	2-5/8	1-3/4	1.938	0.625	0.438	3.000	-	1.313	0.250	6.90		
32HQ150	32H150ST-Q1	32	Q1	9	5.093	5.093	5-5/16	3/4	2-11/16	2-25/32	1-3/4	2.500	0.750	0.000	4.125	-	1.750	0.281	6.50		
36HQ150	36H150ST-Q1	36	Q1	9	5.730	5.676	6	3/4	2-11/16	2-25/32	1-3/4	2.500	0.750	0.000	4.125	-	1.750	0.281	9.10		
40HQ150	40H150ST-Q1	40	Q1	9	6.366	6.312	6-9/16	3/4	2-11/16	2-25/32	1-3/4	2.500	0.750	0.000	4.125	-	1.750	0.281	11.80		
44HQ150	44H150ST-Q1	44	Q1	9	7.003	6.949	7-1/4	3/4	2-11/16	2-25/32	1-3/4	2.500	0.750	0.000	4.125	-	1.750	0.281	15.10		
48HQ150	48H150ST-Q1	48	Q1	9	7.639	7.585	7-7/8	3/4	2-11/16	2-25/32	1-3/4	2.500	0.750	0.000	4.125	-	1.750	0.281	19.00		
60HQ150	60H150ST-Q1	60	Q1	13	9.549	9.495	-	3/4	2-11/16	2-25/32	1-3/4	2.500	0.750	-	4.125	0.750	1.750	0.281	14.30		
72HQ150	72H150ST-Q1	72	Q1	13	11.459	11.405	-	3/4	2-11/16	2-25/32	1-3/4	2.500	0.750	-	4.125	0.750	1.750	0.281	16.90		
84HQ150	84H150ST-Q1	84	Q1	13	13.369	13.315	-	3/4	2-11/16	2-25/32	1-3/4	2.500	0.750	-	4.125	0.750	1.750	0.281	21.40		
96HQ150	96H150ST-Q1	96	Q1	13	15.279	15.225	-	3/4	2-11/16	2-25/32	1-3/4	2.500	0.750	-	4.125	0.750	1.750	0.281	24.90		
120HQ150	120H150ST-Q1	120	Q1	13	19.099	19.045	-	3/4	2-11/16	2-25/32	1-3/4	2.500	0.750	-	4.125	0.750	1.750	0.281	29.90		
156HQ150	156H150ST-Q1	156	Q1	13	24.828	24.774	-	3/4	2-11/16	2-25/32	1-3/4	2.500	0.750	-	4.125	0.750	1.750	0.281	38.00		

**H TIMING BELT PULLEY - 1/2" PITCH (SPLIT TAPER (PST) BUSH)**

**STEEL**

**FOR 2" & 3" WIDE BELTS**



1/2" PITCH (H) 2" WIDE BELTS																			
OLD PART NUMBER	NEW PART NUMBER	NO. OF TEETH	BUSHING	TYPE	DIAMETERS			STOCK BORES		DIMENSIONS							WEIGHT (lbs.)		
					P.D.	O.D.	F.D.	MIN.	MAX.	O.L.	F	L	P	C	H	G		X	E
22HP200	22H200ST-P2	22	P2	6	3.501	3.447	3-13/16	3/4	1-3/4	3-3/16	2-29/32	2.938	0.625	0.031	3.000	-	-	0.250	3.90
24HP200	24H200ST-P2	24	P2	6	3.820	3.766	4-1/16	3/4	1-3/4	3-3/16	2-29/32	2.938	0.625	0.031	3.000	-	-	0.250	5.10
26HP200	26H200ST-P2	26	P2	6	4.138	4.084	4-3/8	3/4	1-3/4	3-3/16	2-29/32	2.938	0.625	0.031	3.000	-	-	0.250	6.30
28HP200	28H200ST-P2	28	P2	6	4.456	4.402	4-11/16	3/4	1-3/4	3-3/16	2-29/32	2.938	0.625	0.031	3.000	-	-	0.250	7.70
30HP200	30H200ST-P2	30	P2	6	4.775	4.721	5	3/4	1-3/4	3-3/16	2-29/32	2.938	0.625	0.031	3.000	-	-	0.250	9.20
32HQ200	32H200ST-Q1	32	Q1	11	5.093	5.039	5-5/16	3/4	2-11/16	2-25/32	2-29/32	2.500	0.219	0.000	4.125	0.750	1.750	0.281	6.50
36HQ200	36H200ST-Q1	36	Q1	11	5.730	5.676	6	3/4	2-11/16	2-25/32	2-29/32	2.500	0.219	0.000	4.125	0.750	1.750	0.281	9.40
40HQ200	40H200ST-Q1	40	Q1	11	6.366	6.312	6-9/16	3/4	2-11/16	2-25/32	2-29/32	2.500	0.219	0.000	4.125	0.750	1.750	0.281	12.50
44HQ200	44H200ST-Q1	44	Q1	11	7.003	6.949	7-1/4	3/4	2-11/16	2-25/32	2-29/32	2.500	0.219	0.000	4.125	0.750	1.750	0.281	15.30
48HQ200	48H200ST-Q1	48	Q1	11	7.639	7.585	7-7/8	3/4	2-11/16	2-25/32	2-29/32	2.500	0.219	0.000	4.125	0.750	1.750	0.281	18.80
60HQ200	60H200ST-Q1	60	Q1	14	9.549	9.495	-	3/4	2-11/16	3-1/16	2-29/32	2.500	0.484	0.266	4.125	0.750	1.750	0.281	16.30
72HQ200	72H200ST-Q1	72	Q1	14	11.459	11.405	-	3/4	2-11/16	3-1/16	2-29/32	2.500	0.484	0.266	4.125	0.750	1.750	0.281	20.30
84HQ200	84H200ST-Q1	84	Q1	14	13.369	13.315	-	3/4	2-11/16	3-1/16	2-29/32	2.500	0.484	0.266	4.125	0.750	1.750	0.281	24.00
96HR200	96H200ST-R1	96	R1	14	15.279	15.225	-	1-1/8	3-3/4	3-1/16	2-29/32	2.500	0.734	0.141	5.375	0.875	2.000	0.281	32.80
120HR200	120H200ST-R1	120	R1	14	19.099	19.045	-	1-1/8	3-3/4	3-1/16	2-29/32	2.500	0.734	0.141	5.375	0.875	2.000	0.281	38.30
156HR200	156H200ST-R1	156	R1	14	24.828	24.774	-	1-1/8	3-3/4	3-13/32	2-1/2	2.500	0.625	0.250	5.375	0.875	2.000	0.281	51.00

1/2" PITCH (H) 3" WIDE BELTS																			
OLD PART NUMBER	NEW PART NUMBER	NO. OF TEETH	BUSHING	TYPE	DIAMETERS			STOCK BORES		DIMENSIONS							WEIGHT (lbs.)		
					P.D.	O.D.	F.D.	MIN.	MAX.	O.L.	F	L	P	C	H	G		X	E
32HQ300	32H300ST-Q1	32	Q1	11	5.093	5.039	5-5/16	3/4	2-11/16	3-19/32	3-5/16	2.500	0.000	0.813	4.125	0.750	1.750	0.281	8.40
36HQ300	36H300ST-Q1	36	Q1	11	5.730	5.676	6	3/4	2-11/16	3-19/32	3-5/16	2.500	0.000	0.813	4.125	0.750	1.750	0.281	11.80
40HQ300	40H300ST-Q1	40	Q1	11	6.366	6.312	6-9/16	3/4	2-11/16	3-19/32	3-5/16	2.500	0.000	0.813	4.125	0.750	1.750	0.281	15.90
44HQ300	44H300ST-Q1	44	Q1	11	7.003	6.949	7-1/4	3/4	2-11/16	3-19/32	3-5/16	2.500	0.000	0.813	4.125	0.750	1.750	0.281	18.90
48HQ300	48H300ST-Q1	48	Q1	11	7.639	7.585	7-7/8	3/4	2-11/16	3-19/32	3-5/16	2.500	0.000	0.813	4.125	0.750	1.750	0.281	21.40
60HQ300	60H300ST-Q1	60	Q1	15	9.549	9.495	-	3/4	2-11/16	3-9/16	3-5/16	2.500	0.031	0.781	4.125	0.750	1.750	0.281	19.30
72HQ300	72H300ST-Q1	72	Q1	15	11.459	11.405	-	3/4	2-11/16	3-9/16	3-5/16	2.500	0.031	0.781	4.125	0.750	1.750	0.281	23.50
84HQ300	84H300ST-Q1	84	Q1	15	13.369	13.315	-	3/4	2-11/16	3-9/16	3-5/16	2.500	0.031	0.781	4.125	0.750	1.750	0.281	29.10
96HR300	96H300ST-R1	96	R1	14	15.279	15.225	-	1-1/8	3-3/4	3-13/16	3-5/16	2.875	0.219	0.656	5.375	0.875	2.000	0.281	38.00
120HR300	120H300ST-R1	120	R1	14	19.099	19.045	-	1-1/8	3-3/4	3-13/16	3-5/16	2.875	0.219	0.656	5.375	0.875	2.000	0.281	44.20
156HR300	156H300ST-R1	156	R1	14	24.828	24.774	-	1-1/8	3-3/4	3-29/32	3-1/2	2.875	0.125	0.750	5.375	0.875	2.000	0.281	59.00